

# TACLAN 2300TN



1U, 1Ghz Server with 512MB SD Ram, 40GB HDD, and 2 Ethernet Ports.

1U Cisco 1700 Series Modular Router w/necessary connectivity modules.

1U Cisco 2900 Series 24 port Catalyst switch.

Optional secure Communications with Encryption

Shock Isolated Environmentally Sealed Rugged Airline carry – on Sized Case (9" x 14" x 22").

## TACLAN 2300TN

The TACLAN 2300TN is one module from the T<sup>2</sup>C<sup>3</sup> product line from Action Systems Inc. Designed to allow an organization or agency to put together a highly mobile, modular command center using modules packaged into airline carry-on size cases. The 2300TN is a network and network connectivity module for an emergency command center or operations center and when combined with the communications modules can provide the capability to operate from anywhere in the world.

### T<sup>2</sup>C<sup>3</sup>

T<sup>2</sup>C<sup>3</sup> (Tactical Tempest Command and Control Center) is a modular platform that allows the rapid deployment and setup of a network, workstations, and communications. These modular configurations can be used in many different combinations depending on the mission requirements. The two physical configurations below are just examples of how the units can be stacked together to create a workspace. Because the units are modular, they can be used in any combination or number of cases. It would be possible to put a two case system together that would provide the hardware and services needed for a small TacLan or command center and then different modules can be added to provide communications again, depending on the requirements. This modularity will lend itself well to most DOD organizations particularly in the Intelligence, CI, and Special Operations communities as well as Homeland Defense/First Responder and Law Enforcement type organizations. The first 2 or 3 individuals on site, be it a military objective or a disaster recovery site could carry with them the base equipment needed to establish a command center in two or three airline carry-on sized cases. This would be the servers, router, workstation, and communications equipment to provide the initial voice, data, and video connectivity to State, Local, and Federal agencies or military Headquarters to share information and

coordinate the recovery effort. Then as more personnel arrive, they could bring other modules, also in airline carry-on sized cases, to build on more services ie additional servers, enhanced satellite communications, telephone communications, video surveillance, Biometric Identification/badging systems, GPS systems for real time situational awareness, or maybe a SECNET 11 wireless bridge and access point so that all personnel in the area can connect to the network to share information, the list goes on and on. Security can be maintained with NSA type 1 or commercial encryption, smart cards and/or biometrics. The possibilities are endless and the complete modularity makes it viable in any situation from one person up to an entire command center or EOC with hundreds of personnel. The platform is built around readily available COTS components and with an open architecture. The enclosure is a RF shielded tent that provides 75 –80 db attenuation and comes in many sizes and shapes. There are indoor and outdoor models available.

### **Physical Configuration A - Dual INMARSAT (128Kbs)**



### **Physical Configuration B – Single INMARSAT (64Kbs)**



**Individual case contents vary depending on requirements. For most cases there are multiple items and configurations listed and these are just some of the possibilities.**

**1. Power/UPS Case**

- a. **2200 series Battery case**
- b. **3U – APC CyberFort UPS.**
- c. **1U – Power distribution//surge suppressor panel.**

**2. Network Connectivity Case.**

- a. **1U – Cisco 1760 Modular Access Router..**
- b. **1U – A tray with cut foam for Router WICs and VICs(Modules).**
- c. **1U – Cisco 2950 Catalyst Switch.**
- d. **1U – SecNet 11 Bridge/Access point.**

**3. SkyStream Case.**

- a. **1U - SkyStream EMR-5500 Series  
Edge Media Router- 5500 series is a versatile and powerful satellite networking platform that receives and manages content at the network edge.**
- b. **2U - SkyStream EVR-7000 Series  
Edge Video Router designed for delivering live and pre-recorded BusinessTV.**
- c. **2-U zBand  
Manages the collection, packaging, scheduling and delivery of web, file, and streaming Internet and Intranet content.**

**4. Communications Case.**

- a. **2100TS M4/STE Case. M4, STE.**
- b. **INMARSAT Gemini 128.**
- c. **Encryption device.**
  - i. **KIV-7.**
  - ii. **Omni XI.**
  - iii. **Sectera.**
- d. **Terminal Adapter**
  - i. **KLAS TA.**
  - ii. **Adtran.**
  - iii. **IWAY Hopper.**

**5. Server Case**

- a. 1U – CF-48, Panasonic Notebook computer.
- b. 1U – CF-50, Panasonic Notebook computer.
- c. 1U – Westek Technology compact server.
- d. 1U – Westek Technology rack mount display and KVM switch.

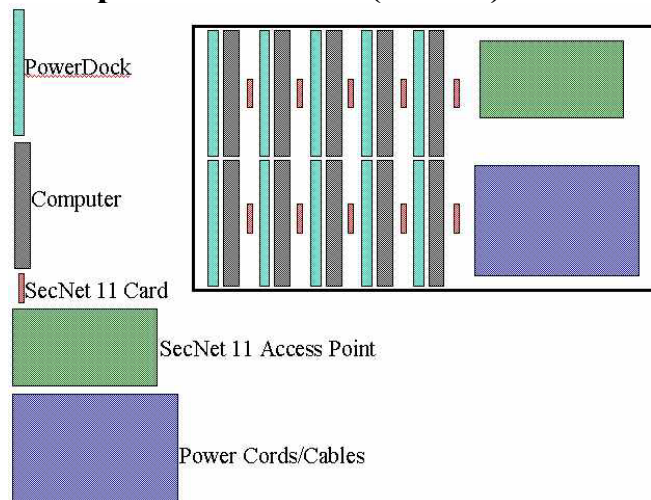
**6. Data Storage Case.**

- a. SNAP Server 1100 120 GB.
- b. Netforce 800 400 GB to 2 TB.

**7. Workstation case. (CRISP, 2200TL etc)**

- a. Computer, CF-48, CF-34, or CF-72.
- b. Printer/Scanner BJC-85
- c. USB video camera (VTC).

**8. Multiple workstations (5 or 10) case**



- a. Computers, CF-48, CF-34, or CF-72.
- b. Powerdock for each computer.
- c. SecNet 11 PCMCIA cards.
- d. SecNet 11 access point.

**9. Storage Case**

- a. Extra Cables.
- b. Manuals for all items.
- c. Consumables.
- d. Equipment that will not fit into any of the other 5 cases.

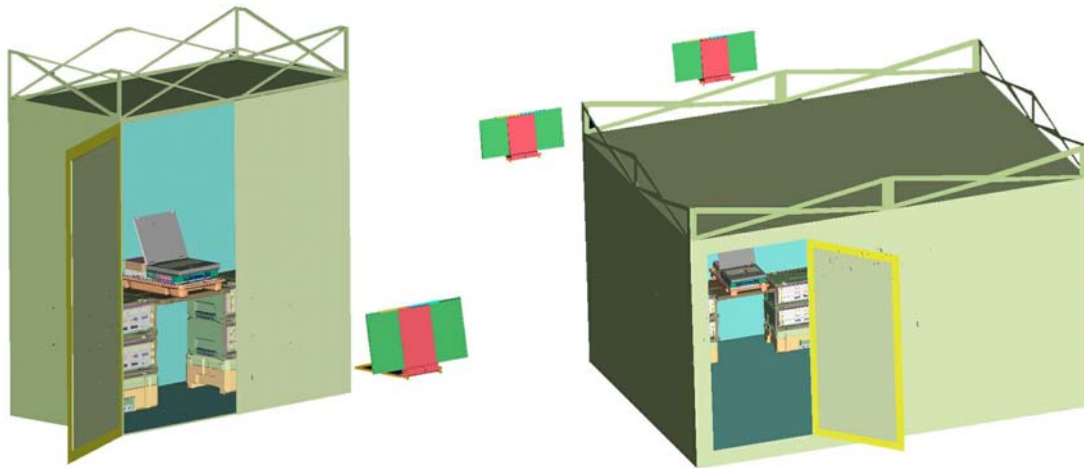
**10. Other Cases can be added to the base unit to add functionality where needed.**

- a. Identification system – ID cards etc.
- b. GPS system – MediaMapper etc.
- c. Photography and Video.
- d. Fiber Optics equipment

- e. Telephone switching equipment.
- f. Projector for briefings, maps etc.
- g. Additional communications systems.
- h. Additional hubs and switches.
- i. Additional power requirements.
- j. Additional servers.
- k. Additional consumables.
- l. Additional storage.

The flexibility and modularity will support any mission or organization's requirements. These small, tightly integrated, rugged and mobile modules are easy to deploy and maintain. The wide range AC/DC power inputs insure the units can be powered and protected in any country or situation regardless of how "dirty" or unreliable the available power supply is. There is no "one size fits all" or "right way" to configure the systems and subsystems. Every organization will have different requirements and capability needs, these modules will allow us to meet and in most cases exceed the required capabilities while providing the ability to expand or upgrade the systems as technology advances. Where additional security is required TEMPEST shielded tents can be integrated to provide 75 –80 db RF shielding. These enclosures provide a mobile SCIF (Secure, Compartmented Information Facility) capability that can be deployed anywhere there is a need for TEMPEST security.

Two TEMPEST enclosures with modules shown inside. There are many sizes and shapes of these TEMPEST Tents available.



For more information contact:-

Action Systems, a Division of V&A Incorporated  
 480 North 17<sup>th</sup> Street  
 Las Cruces, New Mexico 88005

Tel:- (505) 526-6606 e.mail:- info@goaction.com

Fax:- (505) 526-7741 web: www.goaction.com

Data sheet subject to change without notice ref: TACLAN 2300TN.doc

U.S. Patents Issued: 5,212,628 5,226,540 5,442,512 5,590,022, 6,208,507, and 6,229,698

Phone (505) 526-6606

<http://www.goaction.com>

FAX (505) 526-7741